



8 and 16 Point Relay Master Interface Modules

Module Relais d'interface

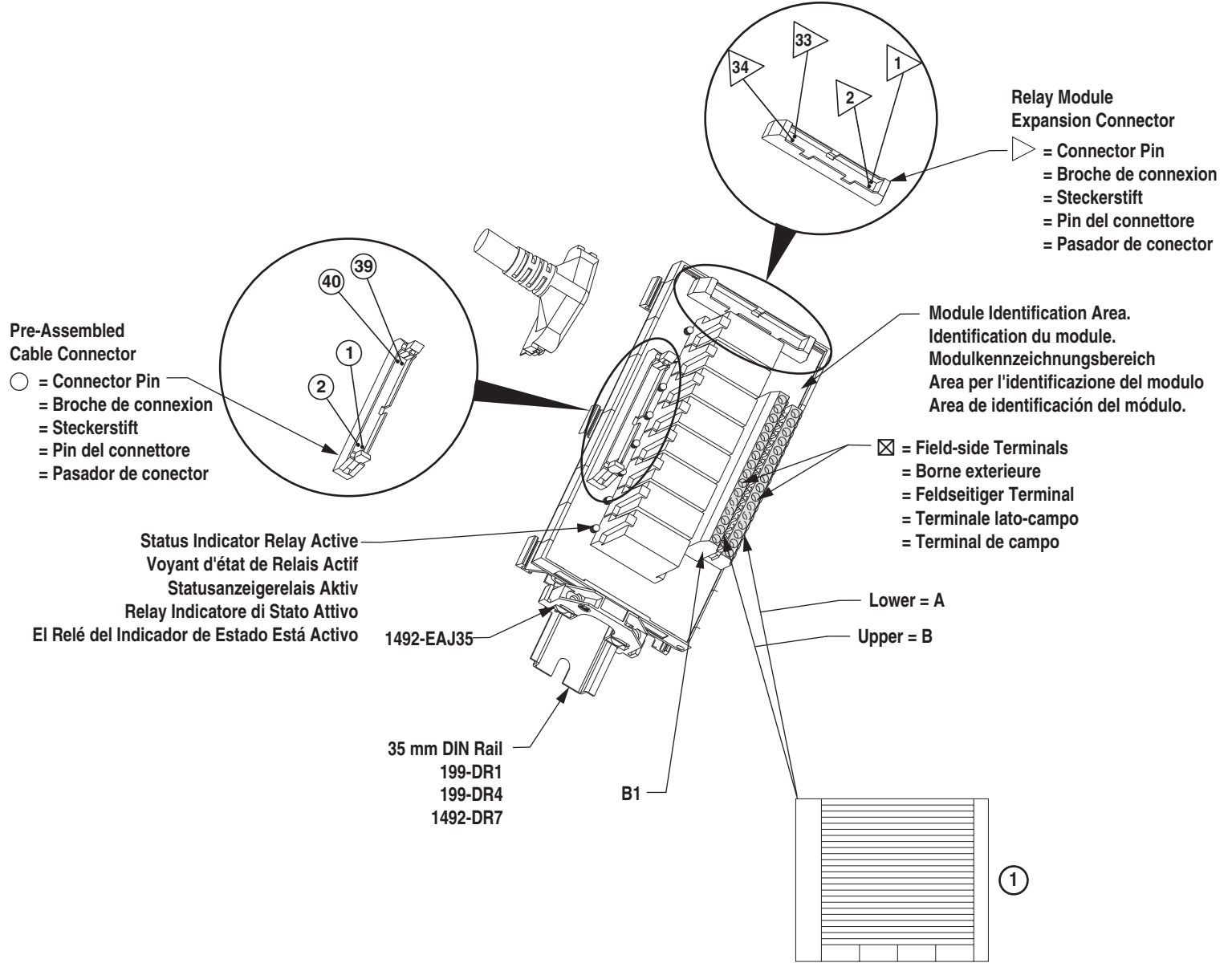
Relais-Schnittstellenmodule

Moduli di Interfaccia di Relay

Módulos de Interface de Relés

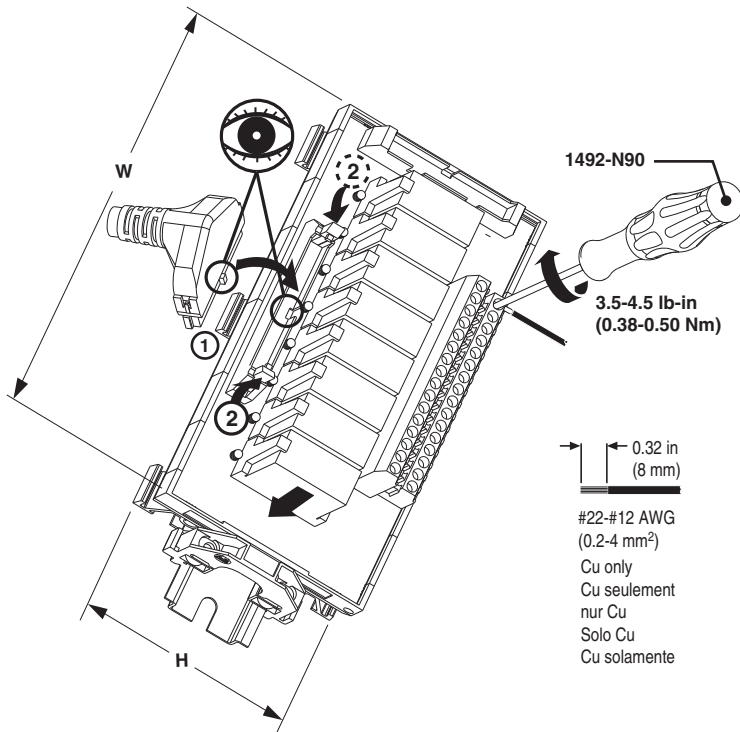
(Cat 1492-XIM4024-8R, -XIM4024-16R, -RXIM4024-16R)

	WARNING	To prevent electrical shock, disconnect from power source before installing or servicing.
	AVERTISSEMENT	Avant le montage et la mise en service, couper l'alimentation secteur pour éviter toutes décharges.
	WARNUNG	Vor Installations- oder Servicearbeiten Stromversorgung unterbrechen, um Elektroschocks zu vermeiden.
	AVVERTENZA	Per prevenire infortuni, togliere tensione prima dell'installazione o manutenzione.
	ADVERTENCIA	Desconéctese de la corriente eléctrica, antes de la instalación o del servicio, a fin de impedir sacudidas eléctricas.



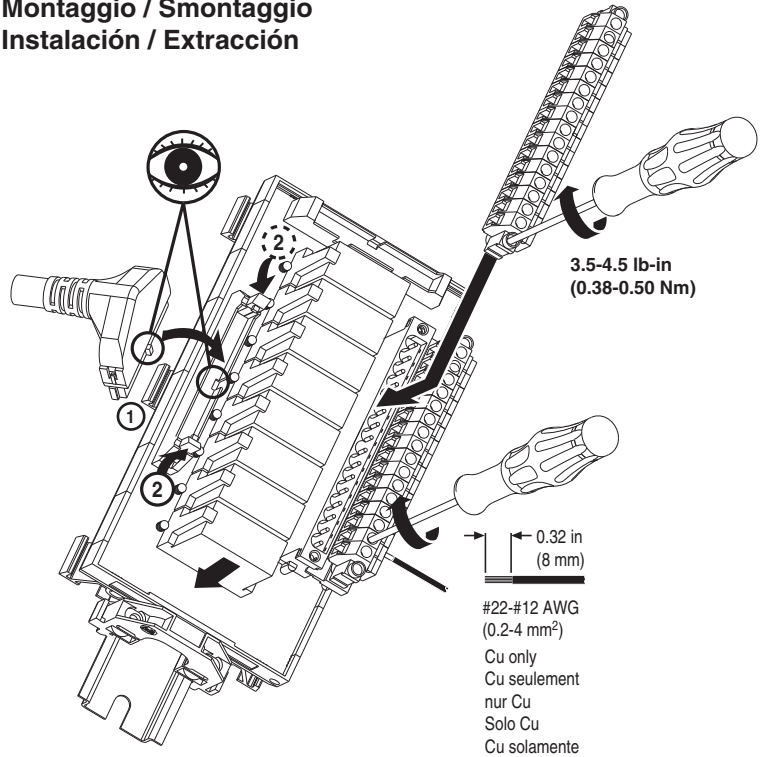
- ① Adhesive Label Card. Provides terminal wiring identification.
 Carte étiquette adhésive. Identifie le câblage des bornes.
 Aufklebbare Etiketten zur Kennzeichnung der Klemmenverdrahtung.
 Scheda etichette adesive. Fornisce l'identificazione del cablaggio dei terminali.
 Tarjeta de etiquetas adhesivas. Proporciona identificación de cableado del terminal.

Module
Installation / Removal
Montage / Retrait
Installation / Entfernen
Montaggio / Smontaggio
Instalación / Extracción



Applies to modules with fixed and removable (R) terminal block

Removable Terminal Block
Installation / Removal
Montage / Retrait
Installation / Entfernen
Montaggio / Smontaggio
Instalación / Extracción



Applies to modules with removable terminal block plugs (1492-RXIM_)

Cable Matrix
Matrice des câbles
Kabelmatrix
Matrice cavi
Matriz de cables

I/O Module Module E/S E/A-Modul Modulo I/O Módulo de E/S	1492-XIM4024-8R ③	1492-XIM4024-16R 1492-RXIM4024-16R ② ③
1746-OB32	1492-CABLE⓪H	1492-CABLE⓪H
1746-OB32E	1492-CABLE⓪H	1492-CABLE⓪H
1756-OB32	1492-CABLE⓪Z	1492-CABLE⓪Z
TC-ODD321	1492-HWCAB⓪Z	1492-HWCAB⓪Z
1769-OB32	1492-CAB⓪K69	1492-CAB⓪K69
1769-OB32T	1492-CABLE⓪H	1492-CABLE⓪H
1771-OBN	1492-CABLE⓪L	1492-CABLE⓪L
1794-OB32P	1492-CAB⓪B94	1492-CAB⓪B94

① Cables are available in 0.5m, 1.0m, 2.5m and 5.0m lengths (005=0.5m; 010=1.0m; 025=2.5m; 050=5.0m). Custom length cables also available. Contact local Sales Office for more information.

Câbles disponibles en 0,5m, 1,0m, 2,5m et 5,0m de longueur (005=0,5m; 010=1,0m; 025=2,5m; 050=5,0m). Câbles sur mesure à la demande. Contactez le bureau le plus proche.

Verfügbare Kabellängen 0,5m, 1,0m, 2,5m und 5,0m (005=0,5m; 010=1,0m; 025=2,5m; 050=5,0m).

Anwenderspezifische Längen stehen ebenfalls zur Verfügung. Kontaktieren Sie bitte Ihr lokales Vertriebsbüro für weitere Informationen.

I cavi sono disponibili in lunghezze di 0,5m, 1,0m, 2,5m e 5,0m (005=0,5m; 010=1,0m; 025=2,5m; 050=5,0m).

Sono disponibili anche cavi su misura. Per ulteriori informazioni, contattare l'ufficio vendite locale.

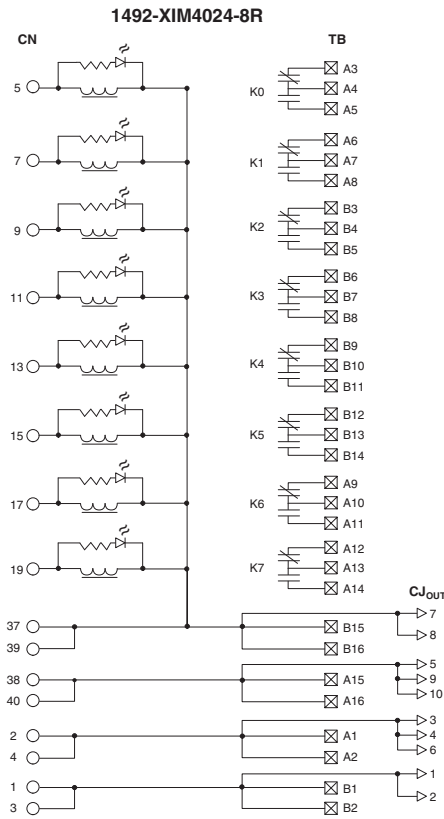
Cables disponibles en longitudes de 0,5m, 1,0m, 2,5m, 5,0m (005=0,5m; 010=1,0m; 025=2,5m; 050=5,0m).

Hay disponibles cables de varias longitudes. Para más información comuníquese con la oficina de ventas.

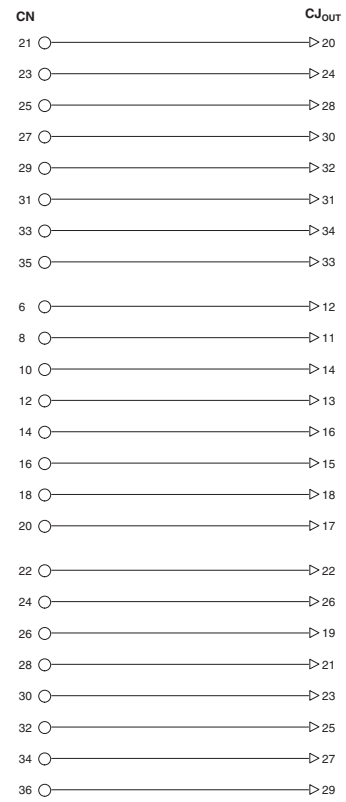
② Supports Removable Terminal Block (RTB) plug. Compatible screw style plug, 1492-RTB14N (Pkg. qty. 2). Compatible push-in style plug 1492-RTB14P (pkg. qty. 2). Order plugs separately.

③ Cable is limited for use within the control panel unless it is run through conduit. Cable is ITC (Instrumentation Tray Cable) rated.

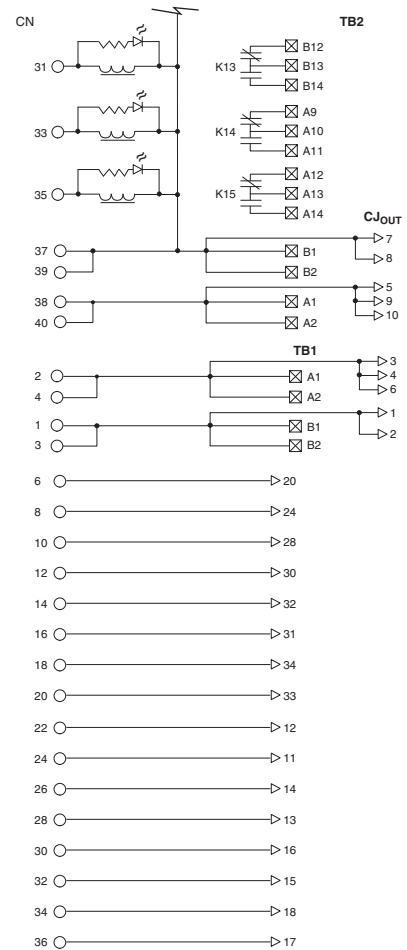
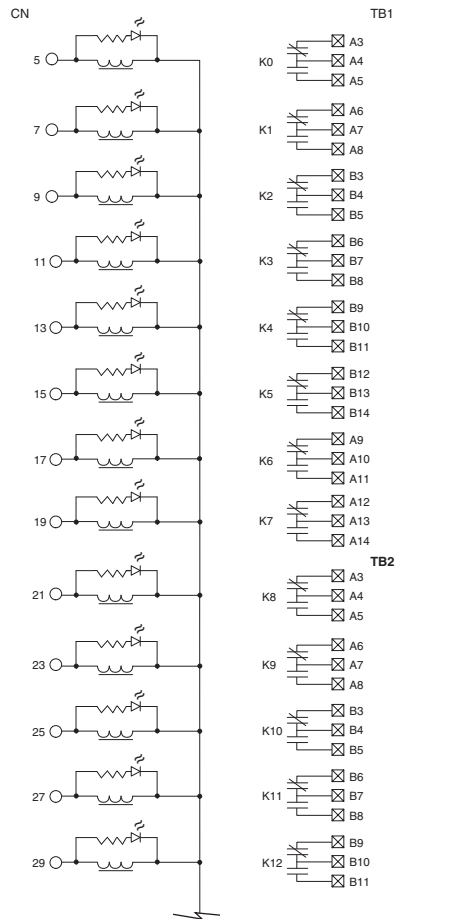
Pinout
 Brochage
 Anschlußbelegung
 Disposizione
 dei piedini
 Esquema de pins



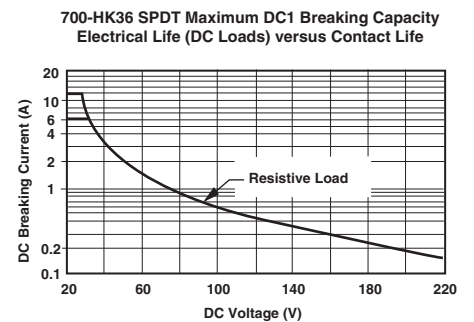
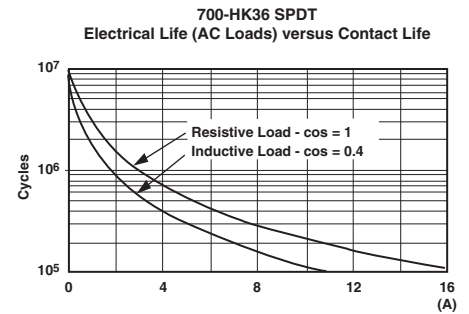
1492-XIM4024-8R (continued)



1492-XIM4024-16R
1492-RXIM4024-16R



Electrical Ratings			
Rated Thermal Current (I_{th})		1-Pole, 1 CO, SPDT - 16A ③	
Rated Insulation Voltage (U_i)		250V IEC, 300V UL/CSA ③	
Contacts	Inductive VAC	120VAC	AC-15, 6.2 A B300 Pilot Duty, 3 A 1/3 HP (0.24 kW) 1-Phase
		240VAC	AC-15, 3.1 A B300 Pilot Duty, 1.5 A 3/4 HP (0.55 kW) 1-Phase
		230VAC	0.55 kW 1-Phase
	Inductive VDC	24VDC	DC-13, 5.0 A
		125VDC	DC-13, 0.2 A R300 Pilot Duty, 0.22 A
		250VDC	DC-13, 0.1 A R300 Pilot Duty, 0.11 A
Resistive	230VAC	AC-1, 16 A ③	
	277VAC	16 A General Use ③	
Make, Break and Continuous	30VDC	DC-1, 12 A 10 A, Resistive	
	Minimum Permissible Contact Ratings		
		300mW (5V / 60mA or 60V / 5mA) for Silver Contacts)	



• When switching a resistive load (DC1) having voltage and current values under the curve, an electrical life of $\geq 100 \times 10^3$ can be expected.

• In case of inductive loads (DC13), the connection of a diode in parallel with the load will permit a similar electrical life as for a DC1 load. Note: the release time for the load will be increased.

③ Maximum Module Current

- 10 Amps per relay output

- Maximum continuous current per module for two adjacent relays is 12 Amps.
Le courant permanent maximum pour deux relais adjacents est de 12 A.
Der maximale Dauerstrom für zwei nebeneinanderliegende Relais beträgt 12 A.
La corrente continua massima per due relè adiacenti è di 12 ampere.
La corriente continua máxima para dos relés adyacentes es de 12 A.

④ Replacement Relays

- 24VDC Control (Coil) Voltage: 700-HK36Z24

I/O Wiring Data

NOTICE

Wiring information for your I/O module, AIFM module and cable (e.g. wiring diagram and pinouts) are available online at www.rockwellautomation.com/en/e-tools. To obtain information follow this procedure.

- 1) In the Catalog Number BOX at the above online site type in the catalog number of the IFM, AIFM, etc. module you are using and click on Submit.
- 2) At the next screen displayed, click on the Modify key (lower left of screen).
- 3) Click on the areas that indicate NO SELECTION and enter your specific configuration information (e.g. I/O platform, I/O MODULE, ETC.).
NOTE: To obtain the wiring diagram, you must select the Pre-Wired Cable Connector selection.
- 4) Configure your 1492 cable by filling in the NO SELECTION areas.
- 5) Click on the ACCEPT key for the configured 1492 cable. At the next screen click on ACCEPT for the 1492 module.
- 6) The next screen (Configuration Results) displays the results of your specific configuration. The "supplementary Documents" column contains I/O wiring information for the configuration (e.g. I/O Wiring Diagrams).

Specifications Spécifications

Technische Daten Specifiche

Especificaciones

Catalog No. Référence Bestell-Nr. N. Catalogo Referencia	Voltage Tension Spannung Tensione Voltaje	Indicator Circuit Current Courant circuit voyants Strom, Anzeigeschaltkreis Corrente circuito indicatori Intensidad del circuito de indicadores	Operating Temperature Range Plage températures de fonctionnement Betriebstemperaturbereich Limiti temperatura di funzionamento Rango de temperatura de funcionamiento
1492-XIM4024-8R 1492-XIM4024-16R 1492-RXIM4024-16R	20-26 VDC	2.0 mA	0° C - 60° C

Catalog No. Référence Bestell-Nr. N. Catalogo Referencia	Maximum Recurring Peak Voltage ② Tension de crele réurrente maximale Maximale periodische Höchstspannung Tensione massima di cresta ricorrente Voltaje de cresta iterativo máximo	Humidity Humidité Feuchtigkeit Humedad Umidità	Approx. Shipping Weight Poids d'embarquement approximatif Ungefähres Versandgewicht Peso approssimativo del carico Peso aproximado al momento de embarque	Dimensions Dimensions Abmessungen Dimensioni Dimensiones	Standards Normes Standards Standard Estándares
1492-XIM4024-8R 1492-XIM4024-16R 1492-RXIM4024-16R	600 Vp ②	5 - 95% ③	1.18 lb. 536 g. 1.79 lb. 811 g.	④ 6.30 in. (160 mm) W 3.27 in. (83 mm) H 2.78 in (70.5 mm) D ④ 9.06 in. (230 mm) W 3.27 in. (83 mm) H 2.78 in (70.5 mm) D	cULus (File: E113724, Guide No. NRAQ) CE: Compliant for all applicable directives FM Class 1 Div 2 Groups A, B, C and D Temperature Rating T3C = 60°C (J.I. 3000590 all except relay modules)

② For transients > 600 Vp use a UL recognized suppression device rated at 2.5 kV withstand.

Pour des transitoires > 600 Vp utilisez un dispositif de suppression certifié UL à 2,5 kV nominal de tenue.

Für Einschaltstöße > 600 Vp verwenden Sie einen UL anerkannten Entstörer, der bewertet wurde bei 2,5 kV standzuhalten.

Per transitori > 600 Vp usare dispositivo di soppressione riconosciuto da UL capace di sopportare 2,5 kV.

Para transitorios > 600 Vp use un dispositivo de supresión reconocido UL clasificado con 2,5 kV.

③ Non-condensing
Sans condensation
Nicht kondensierend
Senza condensa
sin condensación

④ Add 0.39 in. to the width dimension for 1492-Rxx type modules.

SURGE SUPPRESSION follow the literature recommendations of the PLC module being used.

SUPPRESSION DES SURTENSIONS se trouve à la suite de la littérature qui contient les recommandations relatives au module PLC utilisé.

ÜBERSpannungSSCHUTZ Bitte beachten Sie die Dokumentationsempfehlungen für das jeweils benutzte SPS-Modul.

Per la **SOPPRESSIONE DEI PICCHI TEMPORANEI**, seguire le istruzioni riportate nella documentazione in dotazione al Modulo PLC utilizzato.

SUPRESIÓN DE SOBRETENSIÓN, siga las recomendaciones indicadas en la documentación del módulo PLC respectivo.

Reference Publications: Refer to 1770-4.1 and appropriate PLC I/O module installation manual.